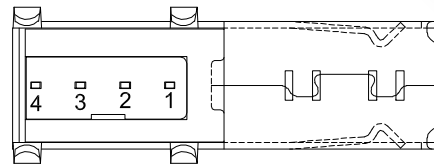
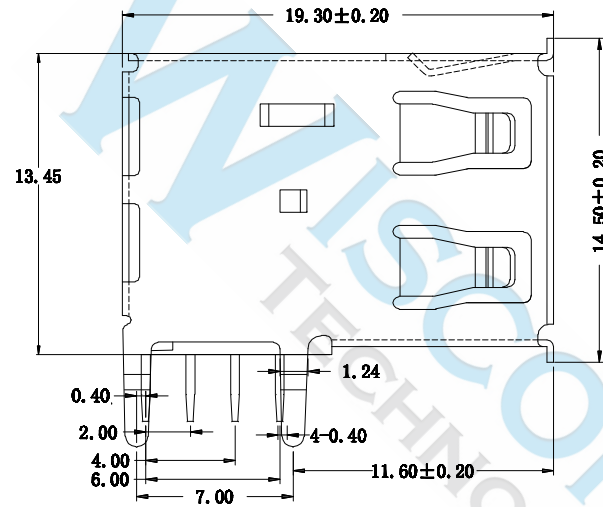
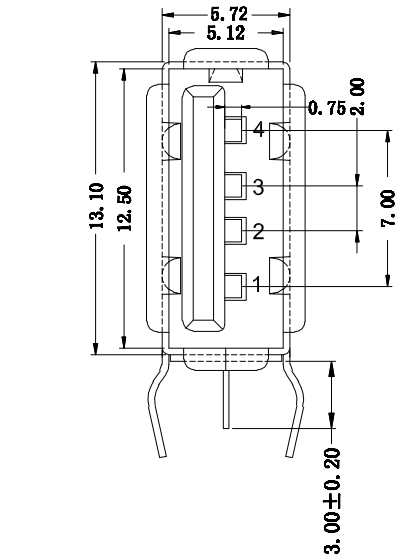


P.C.B LAYOUT MOUNTING PATTERN



### SPECIFICATIONS

#### Electrical:

- 1.Current Rating: 1.5A / contact terminal
- 2.Voltage Rating: 30 VDC
- 3.Contact Resistance: 30 mΩ Max
- 4.Dielectric Withstanding Voltage: 500 V AC AT Sec Level
- 5.Insulation Resistance: 1,000 MΩ Min

#### Material:

- 1.Housing: PBT,UL94V-0
- 2.Contact: Brass
- 3.Shell: Spcc / Brass

#### Finish:

- 1.Contact: Plated Gold in Mating Area;  
Tin on Solder Balls  
Nickel under plated overall
- 2.Shell: Nickel Plating

DIMENSIONS TOLERANCE  
METRIC

Up to 5	±0.2
Above 05~15	±0.3
Above 15~30	±0.4
Above 30~50	±0.5
Angle	±0.3°

UNITS	MM	FINISH	SEE NOTE	CH'K	Calvin
QTY	N/A	DRAW	Johnson	APP'D	Selena
MT'L	SEE NOTE	DE'N	Mike	DATE	November . 24 . 2023

DRAW NAME

USB2.0 側立式 A TYPE 有後蓋 銅殼

PART NUMBER

WU2AF-4FPWCDUR1-19.3

DRAW NUMBER

T002

FILE NAME .DWG

**WISCONN Technology Co., Ltd**

Tel:+886-2-2790-1979 Fax:+886-2-2790-1569

SCALE	1/1	SIZE	A4	SHEET	1	REV.	A
-------	-----	------	----	-------	---	------	---